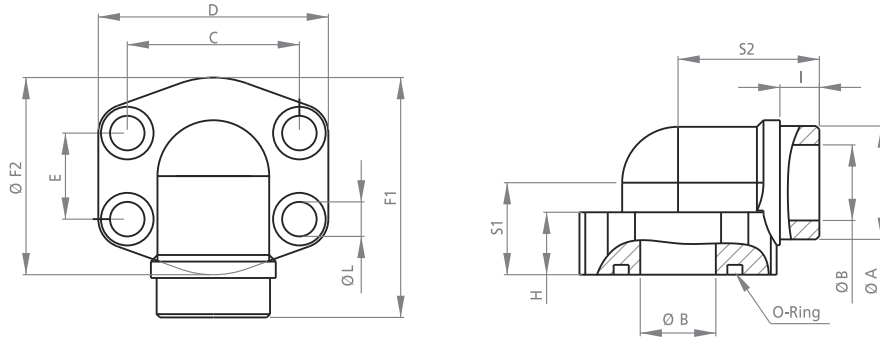
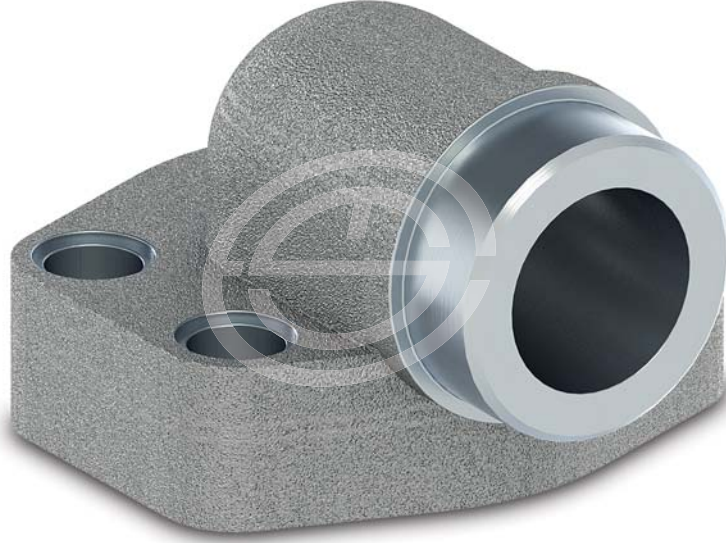




SAE DIŐTAN KAYNAKLIK DİRSEK POMPA ADAPTÖRÜ

SAE WELD ON 90° FLANGE MOUNTING



SAED 3000 PSI

KOD CODE	A	B	C	D	E	F1	F2	H	I	L	S1	S2	M	O-RING O-RING
SAED 3001D	21.6	13	38.1	54	17.48	60	48	16	10	8.5	20	37	M 8x30	18.66X3.53
SAED 3002D	27.2	19	47.63	65	22.23	63	50	18	10	10.5	24	38	M 10x35	25X3.53
SAED 3003D	34.5	25	52.37	70	26.19	70	60	19	12	10.5	28	43	M 10x35	32.92X3.53
SAED 3004D	42.8	32	58.72	79	30.18	85	68	21	14	10.5	34	51	M 10x40	37.7X3.53
SAED 3005D	48.6	38	69.85	93	35.71	95	78	25	16	13	38	56	M 12x45	47.22X3.53
SAED 3006D	61	51	77.77	110	42.88	110	90	25	18	13	42	65	M 12x45	56.75X3.53

SAED 6000 PSI

KOD CODE	A	B	C	D	E	F1	F2	H	I	L	S1	S2	M	O-RING O-RING
SAED 6001D	21.6	13	40.49	54	18.24	60	46	16	10	8.5	20	37	M 8x30	18.66X3.53
SAED 6002D	27.2	19	50.8	70	23.8	70	60	19	12	10.5	28	43	M 10x35	25X3.53
SAED 6003D	34.5	25	57.15	79	27.76	85	70	21	14	13	34	51	M 12x45	32.92X3.53
SAED 6004D	42.8	32	66.68	93	31.75	95	78	25	16	15	38	56	M 14x50	37.7X3.53
SAED 6005D	48.6	38	79.38	110	36.5	110	94	25	18	17	42	65	M 16x50	47.22X3.53
SAED 6006D	61	51	96.82	134	44.5	150	106	26	18	21	60	92	M 20x110	56.75X3.53