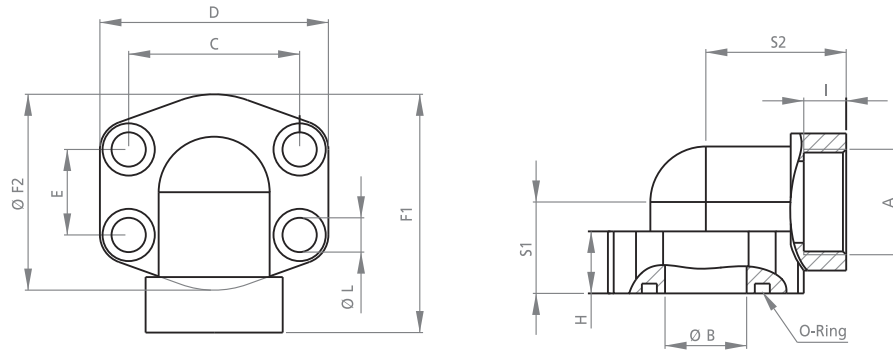




SAE BORU DIŞ DİRSEK POMPA ADAPTÖRÜ

SAE PIPE THREADED 90° FLANGE MOUNTING



SAED 3000 PSI

KOD CODE	A	B	C	D	E	F1	F2	H	I	L	S1	S2	M	O-RING O-RING
SAED 3001	R 1/2"	13	38.1	54	17.48	60	48	16	19	8.5	20	37	M 8x30	18.66X3.53
SAED 3002	R 3/4"	19	47.63	65	22.23	63	52	18	19	10.5	24	38	M 10x35	25X3.53
SAED 3003	R 1"	25	52.37	70	26.19	70	60	19	20	10.5	28	43	M 10x35	32.92X3.53
SAED 3004	R 1-1/4"	32	58.72	79	30.18	85	73	21	22	10.5	34	51	M 10x40	37.7X3.53
SAED 3005	R 1-1/2"	38	69.85	93	35.71	95	83	25	25	13	38	56	M 12x45	47.22X3.53
SAED 3006	R 2"	51	77.77	110	42.88	110	94	25	28	13	42	65	M 12x45	56.75X3.53

SAED 6000 PSI

KOD CODE	A	B	C	D	E	F1	F2	H	I	L	S1	S2	M	O-RING O-RING
SAED 6001	R 1/2"	13	40.49	54	18.24	60	46	16	19	8.5	20	37	M 8x30	18.66X3.53
SAED 6002	R 3/4"	19	50.8	70	23.8	70	56	19	20	10.5	28	43	M 10x35	25X3.53
SAED 6003	R 1"	25	57.15	79	27.76	85	72	21	22	13	34	51	M 12x45	32.92X3.53
SAED 6004	R 1-1/4"	32	66.68	93	31.75	95	75	25	25	15	38	56	M 14x50	37.7X3.53
SAED 6005	R 1-1/2"	38	79.38	110	36.5	110	94	25	28	17	42	65	M 16x50	47.22X3.53
SAED 6006	R 2"	51	96.82	134	44.5	150	106	26	28	21	60	92	M 20x110	56.75X3.53