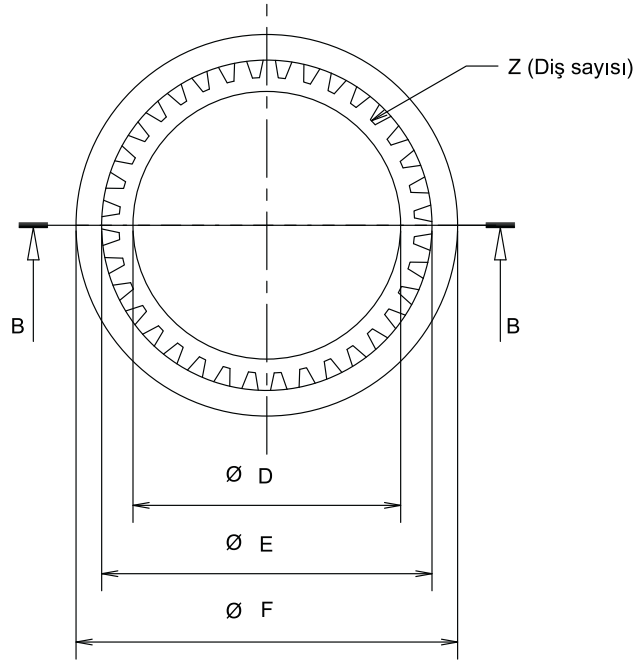


Sect. B-B



KAPLİN PLASTİĞİ								
KOD	D	E	F	K	L	Z	Max.Devir (dev/dk)	Max.Moment (kp-m)
DK 14 PLASTİK								
DK1402	24	33	40	4	28	20	5000	1,0-1,5
DK 24 PLASTİK								
DK2402	37	45	52	5	37	27	5000	2,0-3,0
DK24-A-02	20	46	52	6	45	28	5000	2,0-3,0
DK 28 PLASTİK								
DK2802	47	58	67	5	38	36	5000	3,6-5,4
DK28-A-02	47	58	67	5	38	34	5000	3,6-5,4
DK 32 PLASTİK								
DK3202	53	60.3	76	6	43	38	5000	5,0-7,5
DK 38 PLASTİK								
DK3802	58	70	85	6	47	37	5000	6,4-9,6
DK 42 PLASTİK								
DK4202	61	73.4	89	9	52	39	4500	8,0-12,0
DK42-A-02	62	74.6	89	11	52	44	4500	8,0-12,0
DK 48 PLASTİK								
DK4802	67	78.3	99	9	48	42	4500	12,0-18,0
DK 55 PLASTİK								
DK5502	90	100.5	121	12	59	48	3800	25,0-40,0
DK55-A-02	90	101.2	121	12	59	45	3800	25,0-40,0
DK 60 PLASTİK								
DK6002	98	113.5	139	14	68	55	3400	30,0-45,0